

S220-6-222

Bass driver

DOMEMATERIAL: SANDWICH
APPLICATION: BASS
NOMINAL DIAMETER: 220 mm
SENSITIVITY: 92.5 dB

MAIN FEATURES :

UNDERHUNG MOTOR DESIGN

55 MM TITANIUM VC FORMER

SOFT RUBBER SURROUND

VENTED VC, POLE PIECE & SPIDER

31 HZ - 1 KHZ IN VENTED BOX

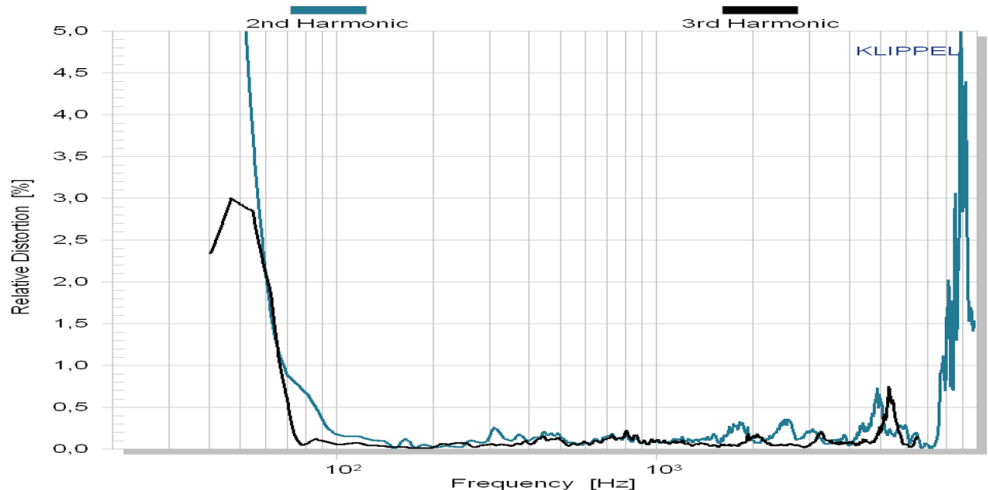
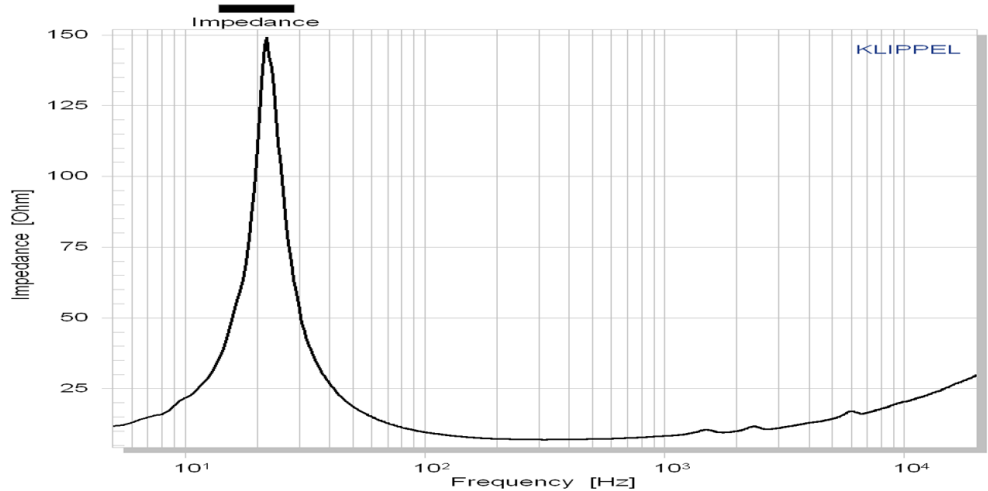
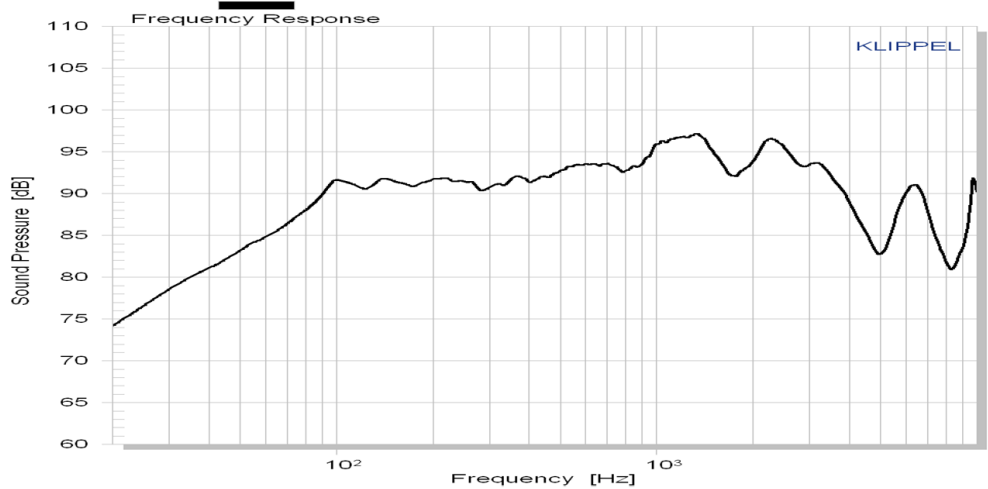


The **S220 – 6 – 222** is an 8 inch bass driver with ultra stiff ceramic - sandwich dome.

A **FEA optimized** overhung motor design with 55 mm titanium voice coil former guarantees very low energy storage and good heat transfer. Its high force factor leads to outstanding transient response for more realistic reproduction.

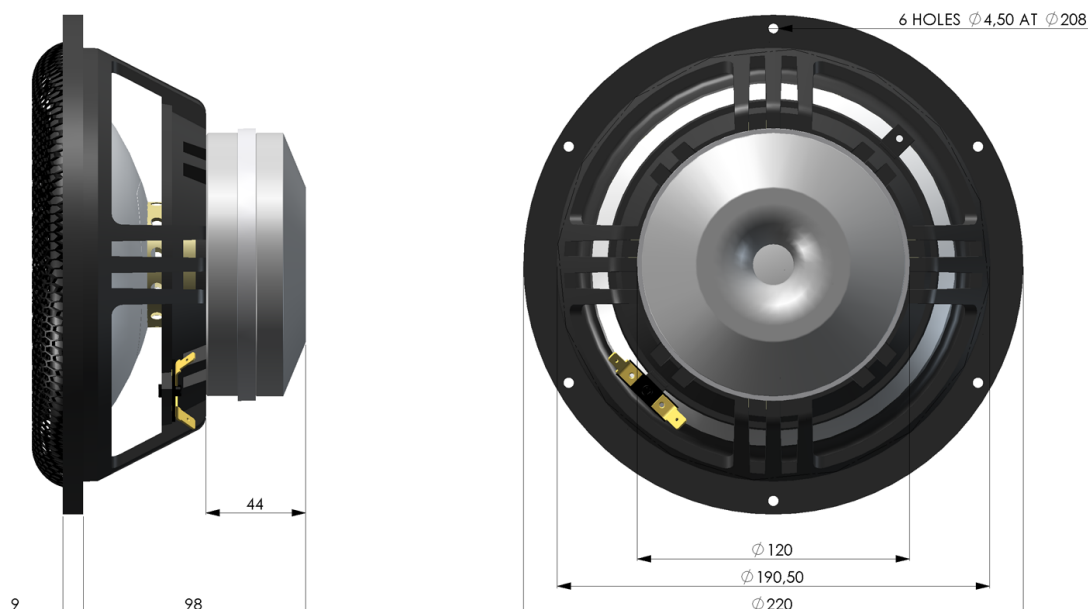
The low loss rubber surround and a **thin fabric spider** center the moving parts with high linearity.

The recommended application for this excellent bass driver is from 31 Hz - 1000 Hz.





S220-6-222
Bass driver



Mechanical data

Overall diameter	220	mm
Cutout hole diameter	190.5	mm
Frontplate depth	9	mm
Overall depth	107	mm
Motor assembly diameter	120	mm
Motor assembly depth	44	mm
Screw fitting	DIN 7984, 4mm	
Terminal	+ : 6.3 x 0.8 / - : 4.8 x 0.8	mm
Shipping weight / net weight	4.1 / 3.8	kg
Shipping box size	250 / 145 / 250	mm

Thiele/Small Parameters

Sensitivity (2.83V / 1m)	Lp	92.5*	dB
DC-resistance	Re	6.7	Ohm
Resonance frequency	Fs	21	Hz
Equivalent volume of air	Vas	139	L
Mechanical Q	Qms	4.4	
Electrical Q	Qes	0.21	
Total Q	Qts	0.20	
Effective piston area	Sd	224	cm ²
Moving mass	Mms	30	g
Suspension compliance	Cms	1.95	mm/N
Mechanical resistance	Rms	0.89	kg x s

Voice Coil data

Power handling	P	150*	Watt
Linear excursion	Xmax	+/- 5	mm
Voice coil diameter		55	mm
Voice coil former material		Ti	
Voice coil material		Cu	
Voice coil inductance	Le	0.42	mH
Force factor	Bl	11.5	N/A
Motor type		Underhung	
Ferrofluid filling		no	

* Please refer to www.accuton.com for exact measurement conditions and further information.

All rights reserved - All data with reservation and subject to change.

Thiel & Partner GmbH Kantstrasse 1 50259 Pulheim T +49 (0) 2238 / 475475 a.bankewitz@accuton.com