

C173-6-197

Bass - midrange driver

DOMEMATERIAL: CERAMIC
APPLICATION: BASS - MIDRANGE
NOMINAL DIAMETER: 173 mm
SENSITIVITY: 91 dB

MAIN FEATURES :

- UNDERHUNG MOTOR DESIGN
- 56 MM TITANIUM VC FORMER
- ALUMINIUM SHORTING RING
- VENTED VC, POLE PIECE & SPIDER
- 35 HZ - 3 KHZ IN VENTED BOX

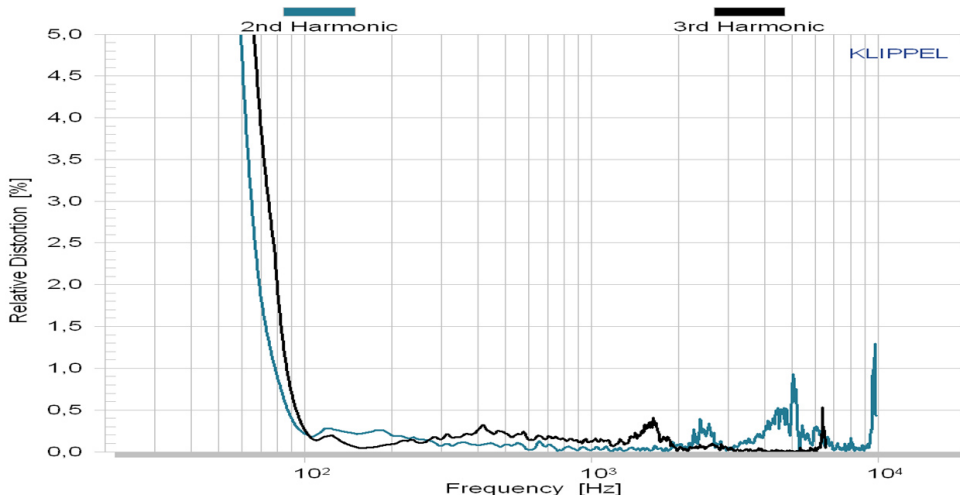
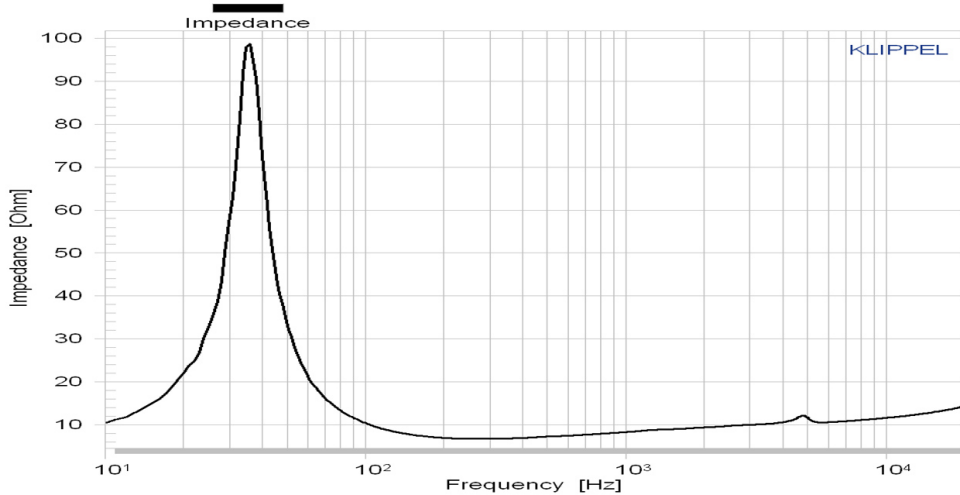
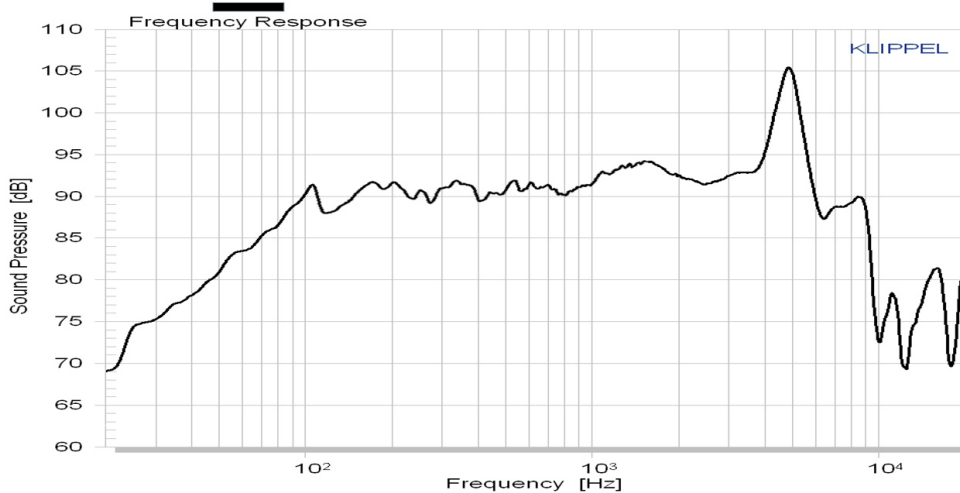


The **C173 - 6 - 197** is a 6.5 inch bass - midrange driver with ultra hard **ceramic dome**.

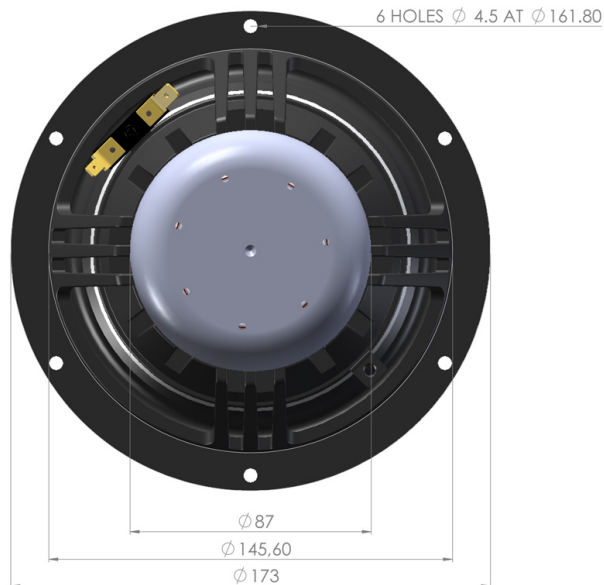
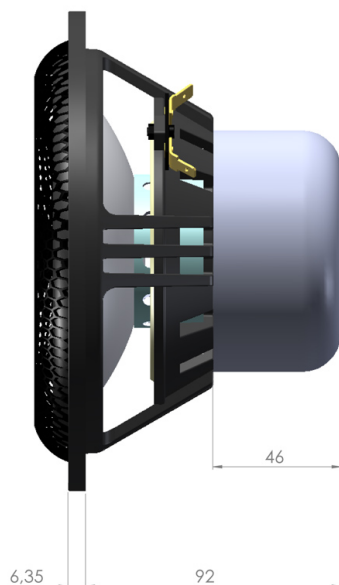
A **FEA optimized** underhung motor design with 56 mm titanium voice coil former and Aluminium shorting ring guarantees extraordinary low distortion and energy storage as well as good heat transfer.

The low loss rubber surround and a **thin fabric spider** center the moving parts with high linearity.

For this outstanding bass - midrange driver, we recommend an application from 35 Hz – 3000 Hz.



All rights reserved - All data with reservation and subject to change.



C173-6-197
Bass-midrange driver

Mechanical data		
Overall diameter	173	mm
Cutout diameter	145.6	mm
Frontplate depth	6.35	mm
Overall depth	98.35	mm
Motor assembly diameter	87	mm
Motor assembly depth	46	mm
Screw fitting	DIN 7984, 4mm	
Terminal	+ : 6.3 x 0.8 / - : 4.8 x 0.8	mm
Shipping weight / net weight	3.76 / 3.44	kg
Shipping box size	210 / 280 / 210	mm

Thiele/Small Parameters			
Sensitivity (2.83V / 1m)	E	91*	dB
DC-resistance	Re	5.7	Ohm
resonance frequency	Fs	35	Hz
equivalent vol. of air	Vas	30.5	L
mechanical Q	Qms	4.48	
electrical Q	Qes	0.25	
total Q	Qts	0.24	
effective piston area	Sd	133	cm ²
moving mass	Mms	16.8	g
suspension compl.	Cms	1.22	mm/N
mechanical resistance	Rms	0.83	kg x s

Voice Coil data			
Power handling	P	120*	Watt
Linear excursion	Xmax	+/- 5	mm
Voice coil diameter		56	mm
Voice coil former material		Ti	
Voice coil material		Cu	
Voice coil inductance	Le	0.25	mH
Force factor	Bl	9.2	N/A
Motor type		Underhung	
Ferrofluid filling		no	

* See www.accuton.com for exact measurement conditions.

All rights reserved - All data with reservation and subject to change.

Thiel & Partner GmbH Kantstrasse 1 50259 Pulheim T +49 (0) 2238 / 475475 a.bankewitz@accuton.com