

C158-6-851

Bass - midrange driver

DOMEMATERIAL: CERAMIC
APPLICATION: BASS - MIDRANGE
NOMINAL DIAMETER: 158 mm
SENSITIVITY: 88 dB

MAIN FEATURES :

OVERHUNG MOTOR DESIGN
38 MM TITANIUM VC FORMER
SOFT RUBBER SURROUND
VENTED VC, POLE PIECE & SPIDER
35 HZ - 3 KHZ IN VENTED BOX

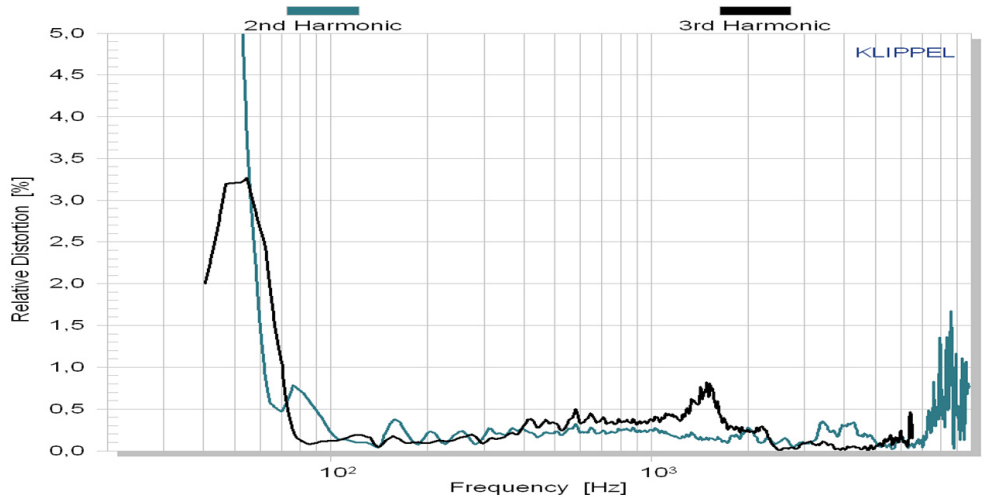
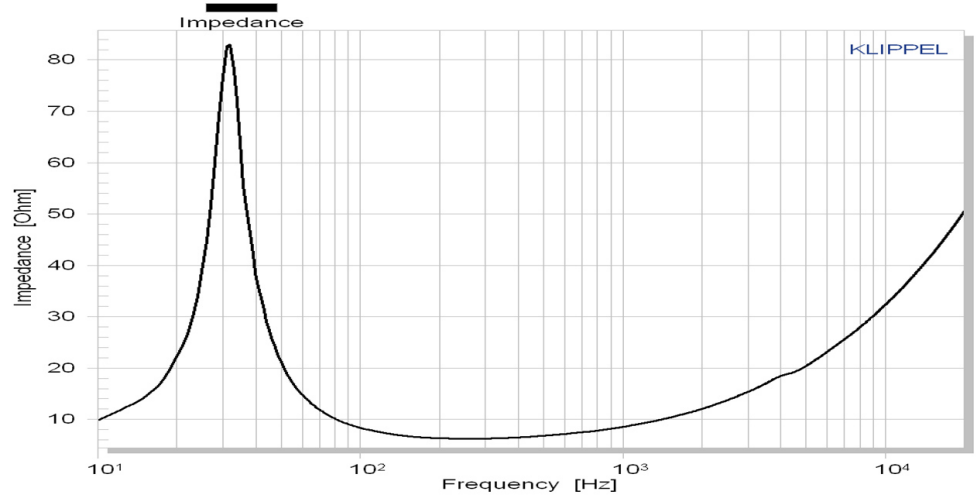
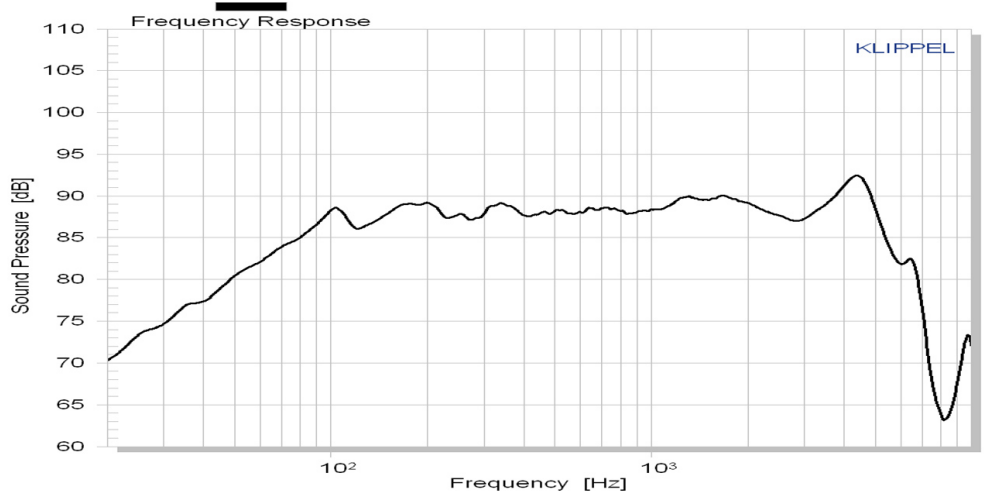


The **C158 - 6 - 851** is a 5.5 inch bass - midrange driver with ultra hard **ceramic dome**.

A **FEA optimized** overhung motor design with 38 mm titanium voice coil former guarantees extraordinary low energy storage and good heat transfer.

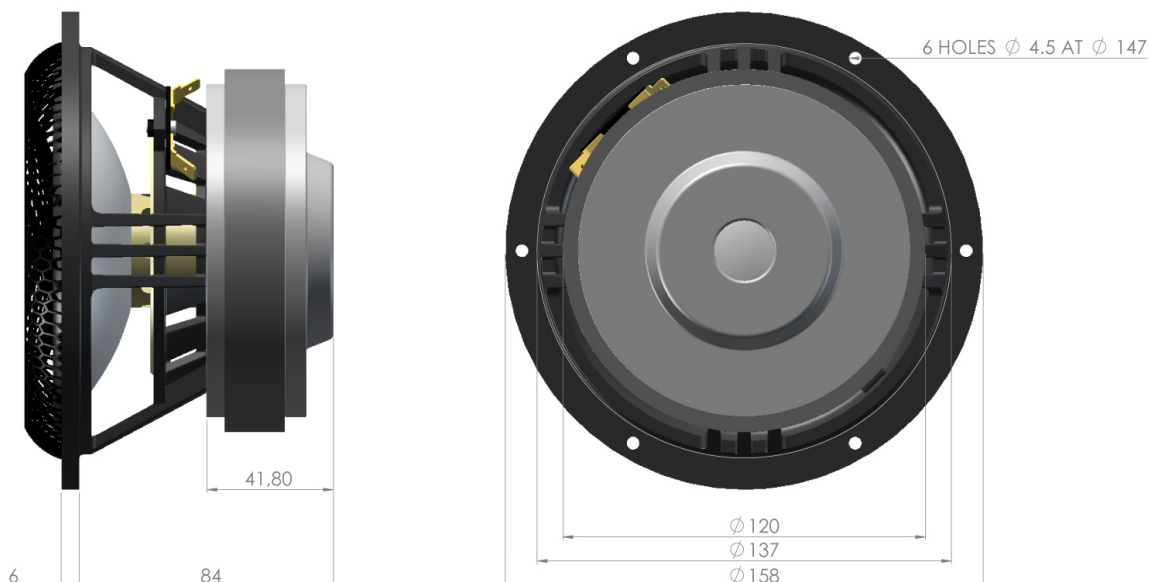
The low loss rubber surround and a **thin fabric spider** center the moving parts with high linearity.

As a typical small home stereo bass - midrange driver, we recommend our **C158 - 6 - 851** for an application from 35 Hz – 3000 Hz.





C158-6-851
Bass-midrange driver



Mechanical data		
Overall diameter	158	mm
Cutout diameter	137	mm
Frontplate depth	6	mm
Overall depth	90	mm
Motor assembly diameter	120	mm
Motor assembly depth	41.8	mm
Screw fitting	DIN 7984, 4mm	
Terminal	+ : 6.3 x 0.8 / - : 4.8 x 0.8	
Shipping weight / net weight	2.6 / 2.28	
Shipping box size	180 / 180 / 240	

Thiele/Small Parameters			
Sensitivity (2.83V / 1m)	E	88*	dB
DC-resistance	Re	6.3	Ohm
resonance frequency	Fs	30	Hz
equivalent vol. of air	Vas	26.4	L
mechanical Q	Qms	5.1	
electrical Q	Qes	0.30	
total Q	Qts	0.27	
effective piston area	Sd	113	cm ²
moving mass	Mms	19	g
suspension compl.	Cms	1.45	mm/N
mechanical resistance	Rms	0.71	kg x s

Voice Coil data			
Power handling	P	120*	Watt
Linear excursion	Xmax	+/- 5	mm
Voice coil diameter		38	mm
Voice coil former material		Ti	
Voice coil material		Cu	
Voice coil inductance	Le	0.73	mH
Force factor	Bl	8.7	N/A
Motor type		Overhung	
Ferrofluid filling		no	

* See www.accuton.com for exact measurement conditions.

All rights reserved - All data with reservation and subject to change.

Thiel & Partner GmbH Rommelskirchenerstrasse 21 50259 Pulheim T +49 (0) 2238 / 475475 info@accuton.com